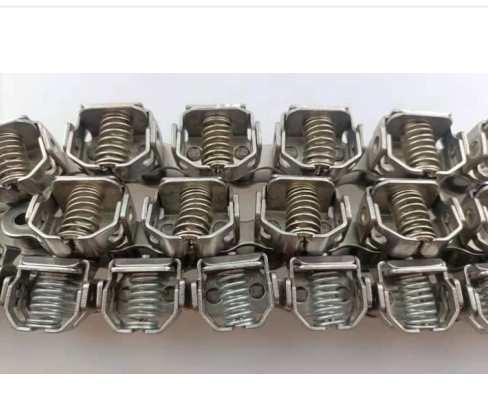




贵州志洪远传动机械有限公司  
GUIZHOU GZG TRANSMISSION CO., LIMITED

# CHAIN Product Catalogue



**GZG TRANSMISSION**  
0086-854-8190520  
[www.gzg-transmission.com](http://www.gzg-transmission.com)

# GZG TRANSMISSION CO., LIMITED



Guizhou GZG Transmisison Co., Limited locates in Duyun city, Guizhou province, which has been engaged in manufacturing mechanical transmission parts for years. Its products are widely used in diverse industries and highly demanded across the world.

Main products of GZG are standard chains and some non-standard but simple chains, clients may choose carbon steel or stainless steel according to their demands.

To clients from Europe, America, Africa, Asia etc, GZG is a reliable and trustworthy vendor. Customers trust GZG brand products and they are willing to run their equipments with its transmission parts due to the superior strength, durability, performance and long function life.

All GZG staff aim to provide customers high quality products with competitive price. And we'll try our best to offer clients an utmost satisfied service.

[www.gzg-transmission.com](http://www.gzg-transmission.com)

## PRODUCT PICTURES



## DRIVING CHAINS



## CONVEYOR CHAINS



## ENGINEERING CHAINS



## LEAF CHAINS

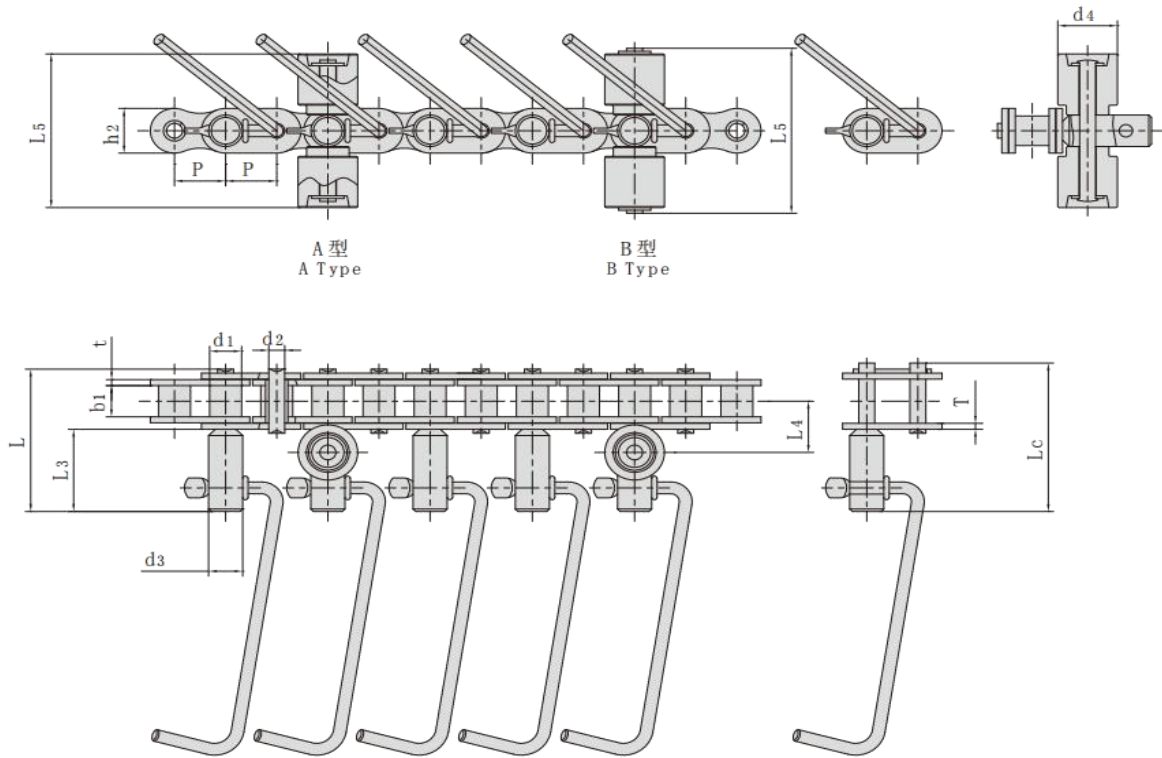


## STAINLESS STEEL CHAINS

<b>A. DRIVING CHAINS</b>	<b>1-34</b>
Short pitch precision roller chains(A series)	2-5
Short pitch precision roller chains(B series)	6-8
Heavy duty series roller chains(A series)	9-11
Heavy duty series roller chains(B series)	12
Heavy duty series roller chains(Non-standard)	13
Cottered type short pitch precision roller chains(A series)	14
Heavy duty series cottered type rller chains(A seies)	15
SP series high strength short pitch chains	16
Heavy duty cranked-link transmission chains	17-20
Inverted tooth chains	21-24
Motorcycle chains	25-28
O-Ring motorcycle chains	29
Chain coupling	30
Coupling chains	31-33
Double pitch transmission chains	34
<b>B. CONVEYOR CHAINS</b>	<b>35-55</b>
Roller chains with straight side plates(A series)	36
Roller chains with straight side plates(B series)	37
Short pitch conveyor chain attachments	38-41
Double pitch conveyor chains	42-44
Short pitch conveyor chains with extended pins	45
Lumber conveyor chains & attachments	46-47
Hollow pin conveyor chains	48-54
<b>C. ENGINEERING CHAINS</b>	<b>55-62</b>
Conveyor chains for elevator	56-59
Palm oil chains	60-62
<b>D. LEAF CHAINS</b>	<b>63-68</b>
Leaf chains(AL series)	64
Leaf chains(BL series)	65-66
Leaf chains(LL series)	67-68
<b>E. STAINLESS STEEL CHAINS</b>	<b>69-101</b>
Stainless steel short pitch roller chains	70-72
Stainless steel short pitch roller chain with straight side plate	73-74
Stainless steel short pitch roller chain attachments	75-78
Stainless steel double pitch roller chains	79-80
Stainless steel double pitch conveyor chain attachments	81-82
Stainless steel hollow pin chains	83-86
Stainless steel short pitch conveyor chains with extended pins	87-88
Stainless steel conveyor chains(M series)	89
Stainless steel conveyor chains(MC series)	90
Conveyor chains for cold drink production	91-93
Stainless steel side bow roller chains	94
Stainless steel Anti-sidebow chains for pushing window	95-96
Conveyor chains for sausage production	97-98
Stainless steel sharp top chains	99
Grip chains	100-101
Stainless steel double plus chain	102

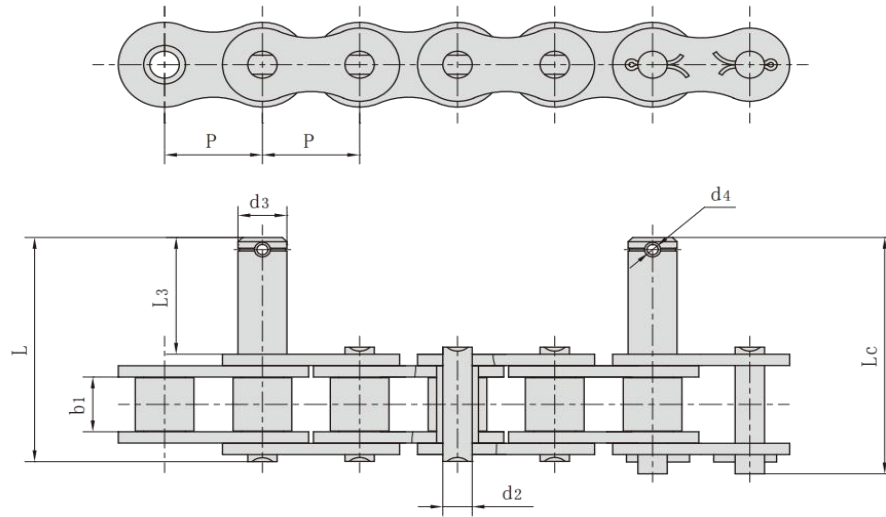
# STAINLESS STEEL CHAINS

## Conveyor chains for sausage production

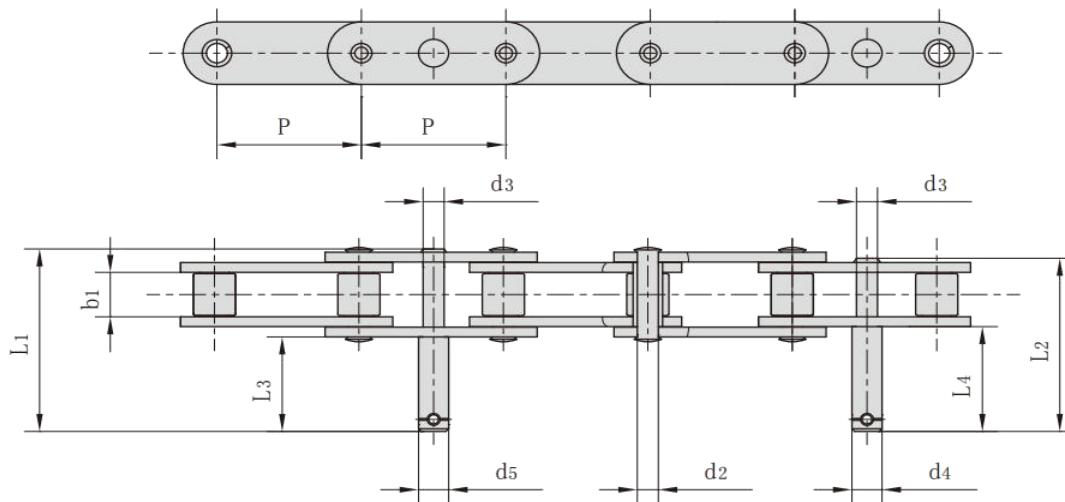


Chain No.	Pitch	Roller diameter	Width between inner plates	Pin diameter	Pin length		Plate dimensions		Attachment dimensions					Tensile strength	Type
	P	d1 max	b1 min	d2 max	L max	Lc max	h2 max	t/T max	d3	d4	L3	L4	L5	q <sub>min</sub>	
	mm	mm	mm	mm	mm	mm	mm	mm	mm	mm	mm	mm	mm	mm	
C60SB SS316-D1F73	19.05	11.91	12.57	5.94	57.50	59.90	18.00	2.42	12.70	22.23	33.20	20.65	63.5	18.8/4226	A
C60SB SS316-D1F74	19.05	11.91	12.57	5.94	57.50	59.90	18.00	2.42	12.70	22.23	33.20	20.65	68.6	18.8/4226	B

## Conveyor chains for sausage production

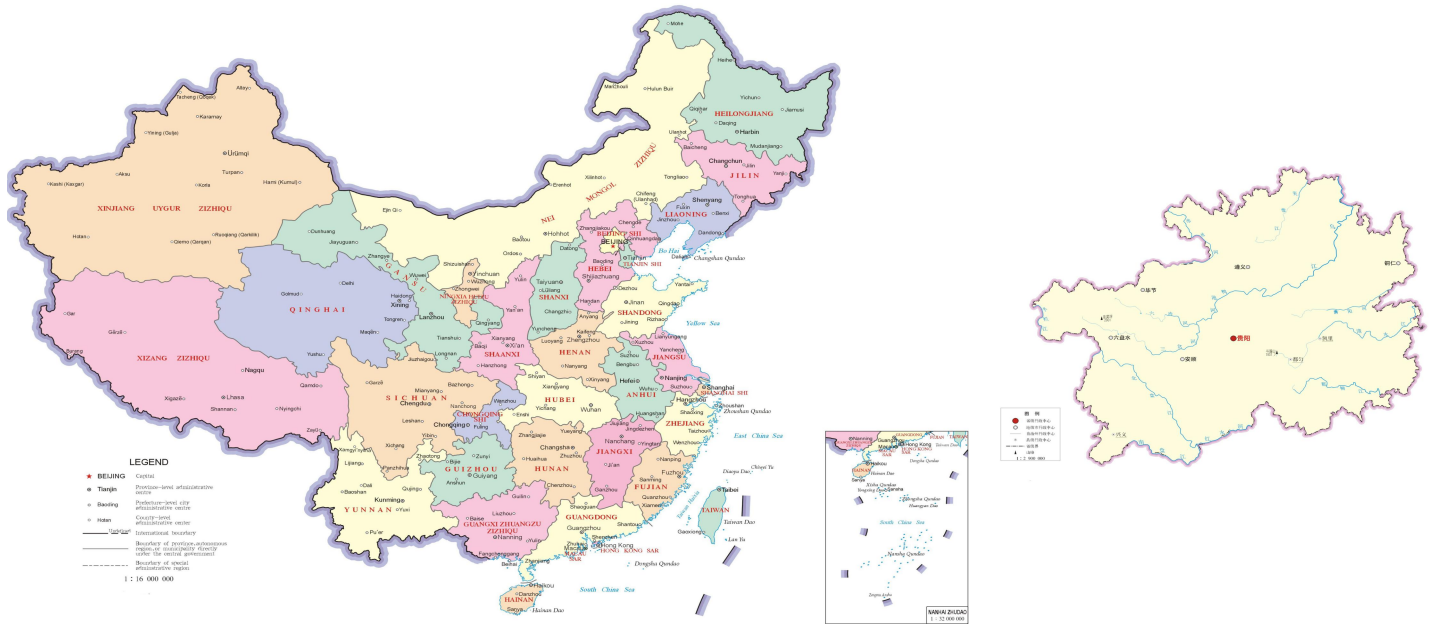


Chain No.	P	b1	d2	d3	L3	L	Lc	d4
	mm	mm	mm	mm	mm	mm	mm	mm
20ASS316-D1F9	31.75	27.46	9.53	15.87	41.30	79.40	83.6	3.6



Chain No.	P	b1	d2	d3	d4	d5	L1	L2	L3	L4
	mm	mm	mm	mm	mm	mm	mm	mm	mm	mm
C2120HSSF14GK	76.20	25.22	11.10	11.10	15.88	15.88	106.30	100.40	54.00	60.00

# Quality First, Customer Supreme.



# GZG TRANSMISSION

贵州志洪远传动机械有限公司

GUIZHOU GZG TRANSMISSION CO., LIMITED

T&F: 0086-854-8190520

Web: <https://www.gzg-transmission.com/>

Alibaba: <https://gzgtransmission.en.alibaba.com/>